




OVERVIEW
 In order to get the best results from your applications, it is good to understand what options you have with our fittings.

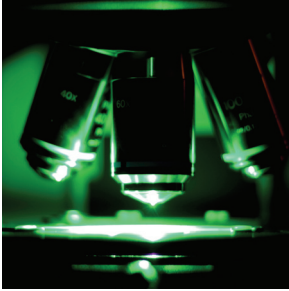

FITTING BASICS



Our tube fittings are a great way to interface with your tubing in a dependable and cost effective manner. Some primary benefits are:


- Single Barb
- Smooth Gates
- Low Profile Tubing stops

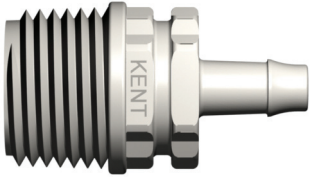
APPLICATIONS




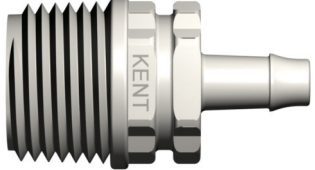



Ideal applications for our fittings include:


- Fuel management systems
- Ink dispensing
- Lab chemicals
- Hydroponics
- Air lines
- Water lines
- Computer cooling
- Many Other Applications

TUBE BARBS	SIZES
	1/16"
	3/32"
	1/18"
	5/32"
	3/16"
	1/4"
	5/16"

THREAD	SIZES
	1/2" Male NPT - 1/4" Barb
	1/2" Male NPT - 3/8" Barb
	1/2" Male NPT - 1/2" Barb

BODY OPTIONS	IMAGE
Tube Union	
Elbow	
Tee	
Threaded Fittings	

MORE INFORMATION



KentSystems.com/Tube_Fittings_QR.php
 Discover more about KENT Systems Tube Fittings online.
 Simply scan this QR Code to be directed to the Fitting section of our website.
Data charges may apply. See your cell phone provider for details.



Overview Specifications

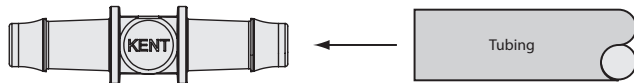
TEST	SPECIFICATION
Pressure Rating	-14.7 PSI thru 125 PSI
Temperature Rating	-50°F thru 150°F
Connection Cycles	1 Time Use

BARB SIZE	TUBE ID	BARB OD	BORE ID	TUBE ID RANGE
04	1/16" (1.5 mm)	.102"	.060"	.063" - .078"
06	3/32" (2.25 mm)	.129"	.076"	.078" - .109"
08	1/8" (3.0 mm)	.164"	.096"	.094" - .141"
10	5/32" (4.0 mm)	.208"	.122"	.125" - .188"
12	3/16" (4.75 mm)	.264"	.155"	.156" - .234"
16	1/4" (6.25 mm)	.335"	.197"	.188" - .297"
20	5/16" (8.0 mm)	.425"	.250"	.250" - .375"

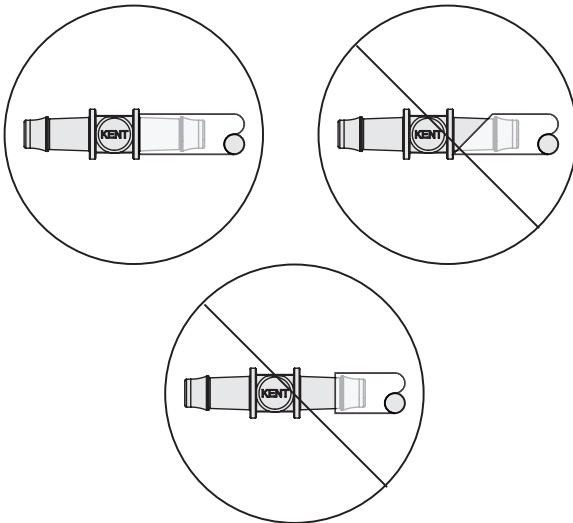
Note: Tubing can vary greatly in size and tolerance.

TUBE ASSEMBLY

When cutting your tubing, make a clean cut perpendicular to the tube. Push the tube over the barb and all the way to the barb stop.



KENT Systems Single Barb



Tube clamps should not be necessary if using quality tubing at reasonable pressures.

Tube Union shown, options and features apply to all tube KENT Systems fittings.

Please contact KENT Systems for *Free Samples* to use in your testing

Design Features

Single Barb Design

- No parting line on barb helps prevent leak paths
- Requires no tube clamps

Body Design

- A simple body design results in a lower cost product

Smooth Gates

- Reduces Costs
- Reduces vestige which can tear medical gloves

Low Gate Height

- We placed the gate low on the product profile to reduce the possibility of snagging

Barb Stops

- Designed to line up the the outer diameter of the tube.
- Reduces tube snagging that can happen

Materials

- Toughened Nylon
 - ◆ Uses less material
 - ◆ Keeps product price low
 - ◆ Tougher than typical nylon
- Class VI Polypropylene
 - ◆ Uses less material
 - ◆ Keeps product price low
 - ◆ Chemically resistant

